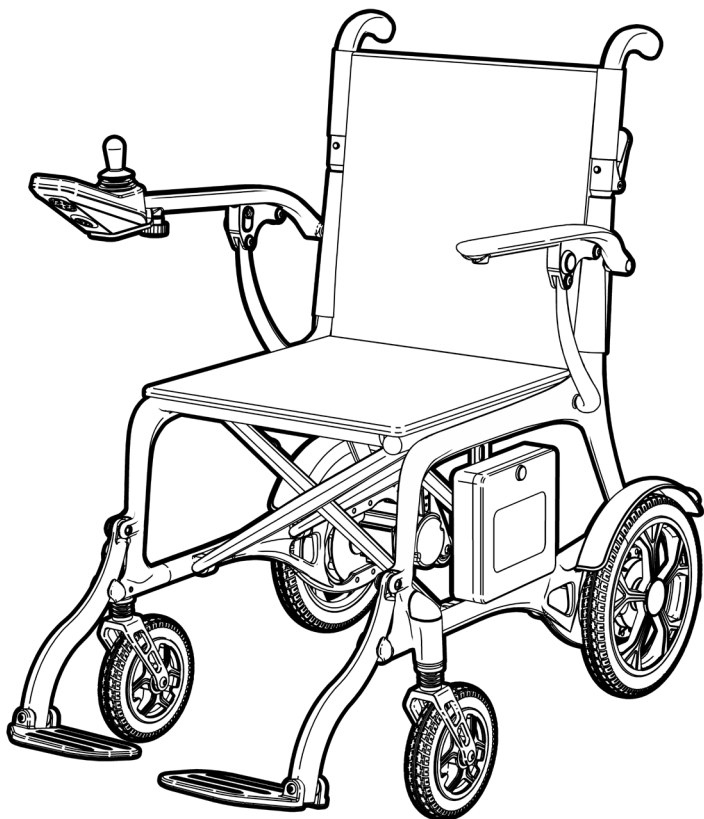




*ENDURO*  
**POWERLITE**  
*FOLDING CARBON FIBRE ELECTRIC WHEELCHAIR*

IK2PCS



## USER MANUAL

Please read and keep these instructions

ASK FOR THE BRAND

[ikonmobility.com.au](http://ikonmobility.com.au)



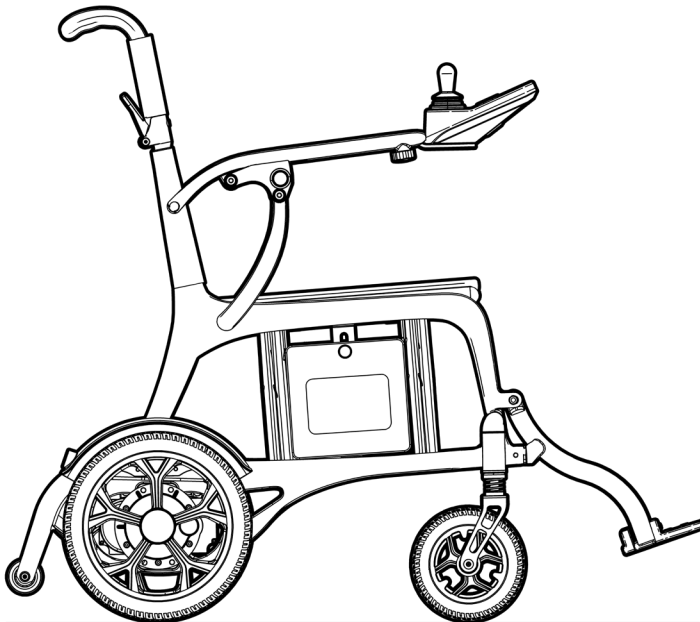
**IKON Mobility** owns the copyright to the ENDURO POWERLITE Wheelchair user manual. Any information contained in this user manual shall not be photocopied, reproduced or translated into any other languages without the prior written consent of IKON Mobility.

**IKON Mobility** strives to provide the highest quality products possible. Product is subject to change without notice.

© Copyright **IKON Mobility**



**IKON Mobility** is part of **FOR-DE Group Pty Ltd**



*ASK FOR THE BRAND*

[ikonmobility.com.au](http://ikonmobility.com.au)

# CONTENTS

---

1. **INTRODUCTION**
2. **FEATURES**
3. **SPECIFICATIONS**
4. **SAFETY ADVICE**
5. **SAFETY ADVICE** (Continued)
6. **EMI WARNING**
7. **EMI WARNING** (Continued)
8. **UNPACK and INSPECT SUPPLIED PARTS**
9. **UNFOLD WHEELCHAIR**
10. **UNFOLD BACKREST**
11. **LOWER LEGRESTS**
12. **FIT OVERLAYS**
13. **FIT ONBOARD CONTROLLER**
14. **RAISE ARMRESTS**
15. **BATTERY CHARGING**
16. **ONBOARD BATTERY CHARGING**
17. **DIRECT BATTERY CHARGING**
18. **FREEWHEELING**
19. **ONBOARD CONTROLLER**
20. **REMOTE CONTROLLER**
21. **OPERATING THE WHEELCHAIR**
22. **TROUBLESHOOTING**
23. **INSPECT / MAINTAIN / SERVICE**
24. **CLEANING THE WHEELCHAIR**
25. **WARRANTY**
26. **WARRANTY** (Continued)
27. **REDGUM BRAND RANGE**
28. **NOTES**



# INTRODUCTION

---

Thank you for purchasing this IKON Mobility product.

Please read this user manual prior to using the wheelchair for the first time.

If you have any issues or questions about the ENDURO POWERLITE Wheelchair please contact your supplier or IKON Mobility direct:

T: **+61 8 9248 4180**

E: **orders@for-de.com.au**

A: **1 Business Way, Malaga, Western Australia 6090**

## INTENDED USE

This product has limitations and should be used in accordance to these guidelines. Failure to follow these guidelines may result in damage to the product and injury to the user.

This equipment **MUST** be assembled and used by a competent person. It is the responsibility of the user to ensure the suitability of this product for its intended use. The user should consult their appropriate healthcare professional if unsure of the correct product usage for their unique circumstances.



### **IMPORTANT NOTE**

If you are ever unsure about any aspect of the ENDURO POWERLITE Wheelchair please do not use and contact your supplier for support.

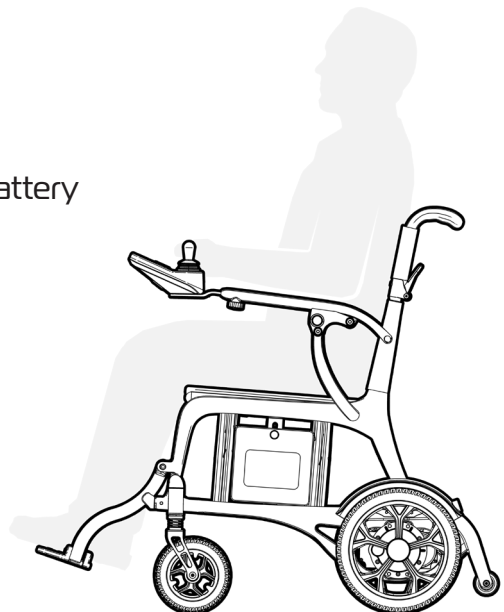
1.

*ASK FOR THE BRAND*

**ikonmobility.com.au**

# FEATURES

- Carbon fibre frame
- Folds up for transport and storage
- Safe to take on an aeroplane
- Comfortable padded seat and backrest
- Fold down backrest
- Lift up armrests
- Onboard controller with LCD display
- Remote controller
- Fingertip controls
- Battery power indicator
- Forward / Reverse drive settings
- Variable speed setting
- Horn
- Rear wheel drive
- Front wheel suspension
- Electromagnetic brake
- Rechargeable Lithium-Ion battery
- Anti tip wheels
- Calf strap
- Lap belt



2.

ASK FOR THE BRAND

[ikonmobility.com.au](http://ikonmobility.com.au)

# SPECIFICATIONS

---

Note: All dimensions shown are nominal

- Overall: **1045mm (L) x 555mm (W) x 885mm (H)**
- Overall Folded: **820mm (L) x 275mm (W) x 800mm (H)**
- Seat: **460mm (W) x 420mm (D) x 490mm (H from floor)**
- Backrest: **440mm (W) x 420mm (H from seat)**
- Push Handle Height: **880mm**
- Turning Circle: **1080mm**
- Speed: **6km/h**
- Maximum range: **Up to 18km\***
- Safe climb angle: **6°**
- Maximum climb angle: **6°**
- Motor: **2 x 250W high torque brushless motors**
- Battery: **24V / 10.4 Ah Lithium-Ion (supplied)**
- Charger: **2 Amp Lithium-Ion (Supplied)**
- Tyres (Flat free): **Front: Ø165mm (6.5") / Rear: Ø280mm (11")**
- Product Weight: **13.3kg with battery (1.5kg battery)**
- Maximum User Weight: **140kg (on flat ground)**

\* Maximum range is based on an ambient temperature of 20°C, 75kg user, brand new fully charged battery and constant driving speed of 5km/h on flat level ground.

Please contact IKON Mobility if you would like any further information on the ENDURO POWERLITE Wheelchair.

**3.**

*ASK FOR THE BRAND*

**ikonmobility.com.au**

# SAFETY ADVICE

---

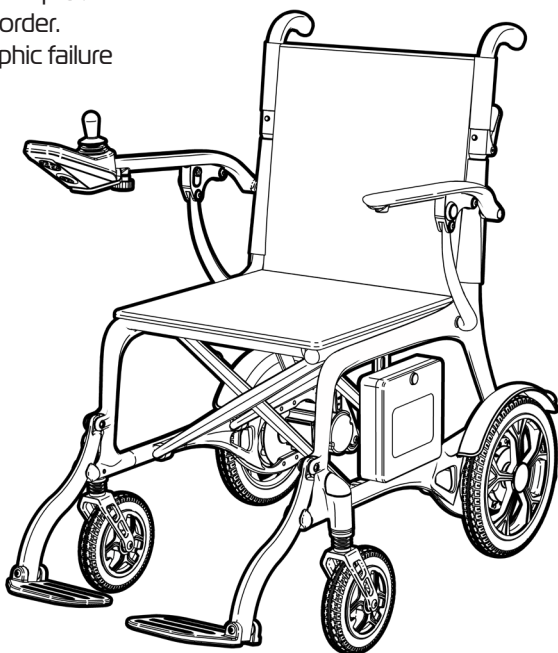
For your own safety, please read this user manual before using the ENDURO POWERLITE Wheelchair. Failure to follow these guidelines may result in damage to the product and put the user at risk. If in any doubt, contact your supplier directly for advice.

- The ENDURO POWERLITE Wheelchair is supplied with a rechargeable maintenance free Lithium-Ion battery which **MUST BE** charged using the supplied battery charger.  
**WARNING! - FAILURE TO USE CORRECT AND SPECIFIED CHARGER MAY RESULT IN DEATH, DAMAGE OR CANCELLATION OF WARRANTY AND STATUTORY PROTECTIONS.**
- Please make sure that you are physically capable to operate this unit. Consult your dealer/appropriate healthcare professional for advice prior to use.
- The ENDURO POWERLITE Wheelchair maximum user weight is 140kg.
- Designed for single person use only (Do not carry passengers)
- Do not travel up inclines over 6 degrees (9.5% grade).
- Reduce speed when turning.
- Do not get on or off the wheelchair unless the unit is switched off.
- Do not switch off the wheelchair while it is moving.
- Do not drive the wheelchair where you can not safely or legally walk.
- Do not attempt to drive over curbs over 4cm in height. Doing so could cause your wheelchair to turn over, causing personal injury or damage to the wheelchair. For curbs less than 4cm, always approach them at an angle of 90 degrees and at low speed.
- Do not drink or use a mobile phone when driving your wheelchair.
- Always keep your feet on the wheelchair when moving.
- Always slow down and proceed carefully when traveling over rough or uneven ground.
- Do not drive the wheelchair on an incline that has oil, water or ice film on it.
- Do not use parts or accessories that are not authorised by the original manufacturer of the wheelchair.
- Do not connect any foreign device to the wheelchair battery or charging port. This could cause failure of the device, the wheelchair and personal injury.

## SAFETY ADVICE (CONTINUED)

---

- It is not allowed to have any person sitting in the wheelchair when transported by a vehicle, otherwise any injury or damage that might result.
- Do not use the wheelchair in the rain, near a shower or in a damp bathroom. Direct exposure to rain or dampness could cause the wheelchair to electrically malfunction.
- Do not operate the wheelchair while charging.
- Charge battery daily after use.
- Ensure the charging cable is removed from the wheelchair after charging.
- Always check the battery charge remaining before operating the unit to ensure you have sufficient for your journey.
- Always charge the battery of the unit in a well ventilated area.
- Do not operate the unit in the way of exceeding to the product's specification listed in this owner's manual. Otherwise, injury and/or damage to the unit or surrounding property may occur. Doing so may also void your warranty.
- Ensure the wheelchair is serviced every 12 months by an authorised IKON Mobility service provider to ensure it remains in safe working order. Failure to do so may cause catastrophic failure with possible injury and damage to surrounding property.



5.

ASK FOR THE BRAND

ikonmobility.com.au



# EMI WARNING

---

Power wheelchairs may be susceptible to electromagnetic interference (EMI), which is a kind of interfering electromagnetic energy (EM) emitted from sources such as radio stations, TV stations, amateur radio (HAM) transmitters, two-way radio and mobile phones. The interference (from radio wave sources) can cause the wheelchair to release its brakes, move by itself, or move in unintended directions. It can also permanently damage the wheelchair's control system.

The sources of radiated EMI can be broadly classified into three types:

1. Hand-held portable transceivers (transmitters-receivers) with the antenna mounted directly on the transmitting unit. Examples include: citizens band (CB) radios, "walkie talkie", security, fire and police transceivers, cellular telephones, and other personal communication devices.

NOTE! Some mobile phones and similar devices transmit signals while they are ON, even when not being used.

2. Medium-range mobile transceivers, such as those used in police cars, fire trucks, ambulances, and taxis. These usually have the antenna mounted on the outside of the vehicle.

3. Long-range transmitters and transceivers, such as commercial broadcast transmitters (radio and TV broadcast antenna towers) and amateur (HAM) radios.

NOTE! Other types of hand-held devices, such as cordless phones, laptop computers, AM/FM radios, TV sets, CD players, and cassette players, and small appliances, such as electric shavers and hair dryers, so far as we know, are not likely to cause problems to the wheelchair.

## Wheelchair Electromagnetic Interference (EMI)

Because EM energy rapidly becomes more intense as one moves closer to the transmitting antenna (source), the EM fields from hand-held radio sources (transceivers) are of special concern. It is possible to unintentionally bring high levels of EM energy very close to the wheelchair's control system while using these devices. This can affect wheelchair movement and braking. Therefore, the warnings listed below are recommended to prevent possible interference with the control system of the wheelchair.

# EMI WARNING (CONTINUED)

---

## WARNINGS

1. Do not operate hand-held transceivers (transmitters-receivers), such as citizens band (CB) radios, or turn ON personal communication devices, such as mobile phones, while the wheelchair is turned ON.
2. Be aware of nearby transmitters, such as radio or TV stations, and try to avoid coming close to them.
3. If unintended movement or brake release occurs, turn the wheelchair OFF as soon as it is safe to do so.
4. Be aware that adding accessories or components, or modifying the wheelchair may make it more susceptible to EMI.

**NOTE!** There is no easy way to evaluate the overall immunity of the wheelchair.

5. Report all incidents of unintended movement or braking to your dealer, and note whether there are sources of EMI nearby.

**WARNING:** The original manufacturer and the importer of the wheelchair is not responsible for damage or injury incurred due to improper and unsafe use of our wheelchair.

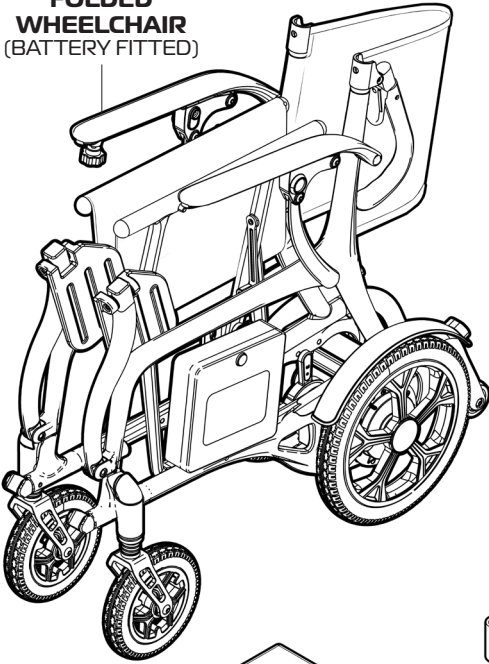
## IMPORTANT NOTE

If you are ever unsure about any aspect of the ENDURO POWERLITE Wheelchair please do not issue or use and contact your supplier for support.

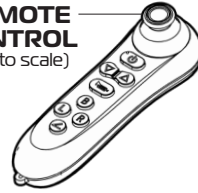
# UNPACK and INSPECT SUPPLIED PARTS

We recommend that you thoroughly inspect all the supplied parts prior to assembling product.

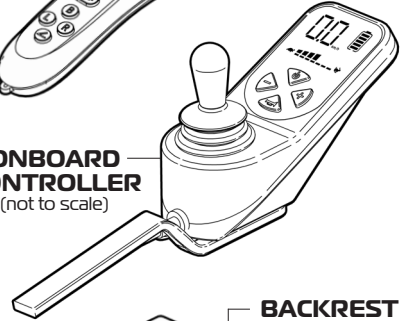
**FOLDED  
WHEELCHAIR**  
(BATTERY FITTED)



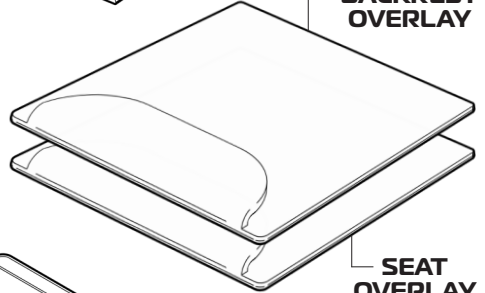
**REMOTE  
CONTROL**  
(not to scale)



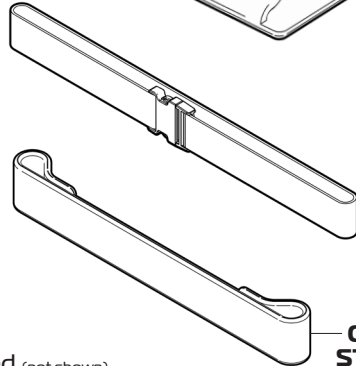
**ONBOARD  
CONTROLLER**  
(not to scale)



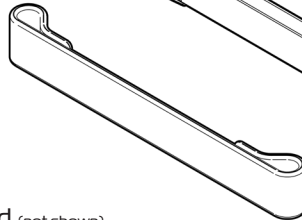
**BACKREST  
OVERLAY**



**SEAT  
OVERLAY**

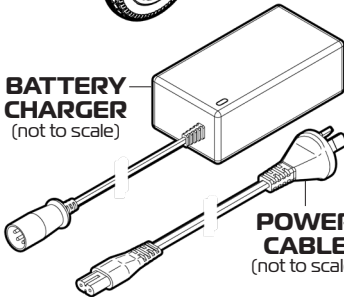


**LAP  
BELT**



**CALF  
STRAP**

**BATTERY  
CHARGER**  
(not to scale)



**POWER  
CABLE**  
(not to scale)

**TOOL KIT** included (not shown)

Please take care when unpacking the product and removing the protective packing materials. If you see any damage or suspect a fault, **DO NOT USE THE PRODUCT** and contact your supplier for support.

# UNFOLD WHEELCHAIR

Please follow these instructions to unfold the wheelchair:

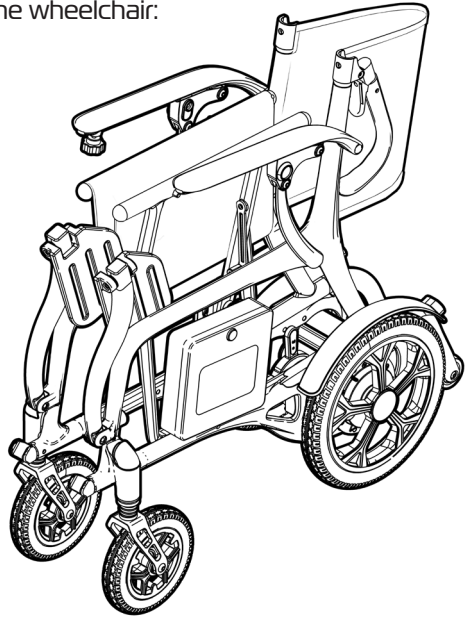
1. Pull **OUT** on both of the armrests at the same time to open out the wheelchair.
2. Push down on the outside edges of seat to ensure wheelchair has been fully unfolded.

**Important note:**

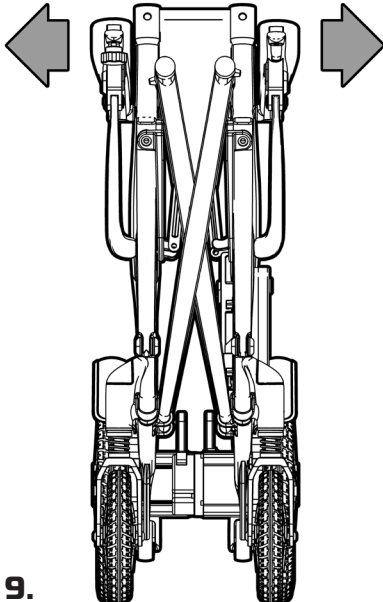
DO NOT place fingers underneath seat when unfolding wheelchair!

To fold up wheelchair:

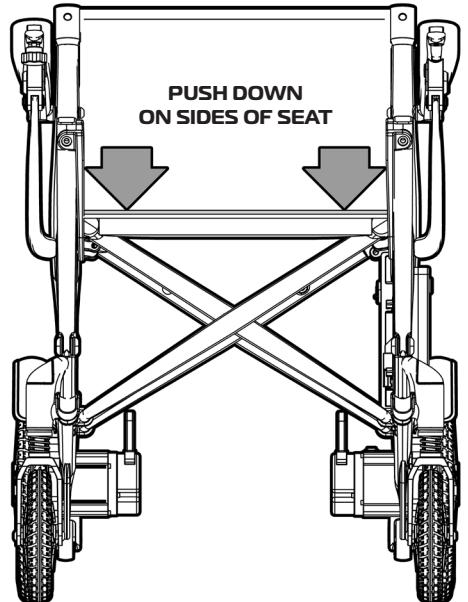
- Pull **UP** on the middle of the seat.
- (Ensure footplates are up prior to folding)



**PULL OUT ON  
ARMRESTS**



**PUSH DOWN  
ON SIDES OF SEAT**



**9.**

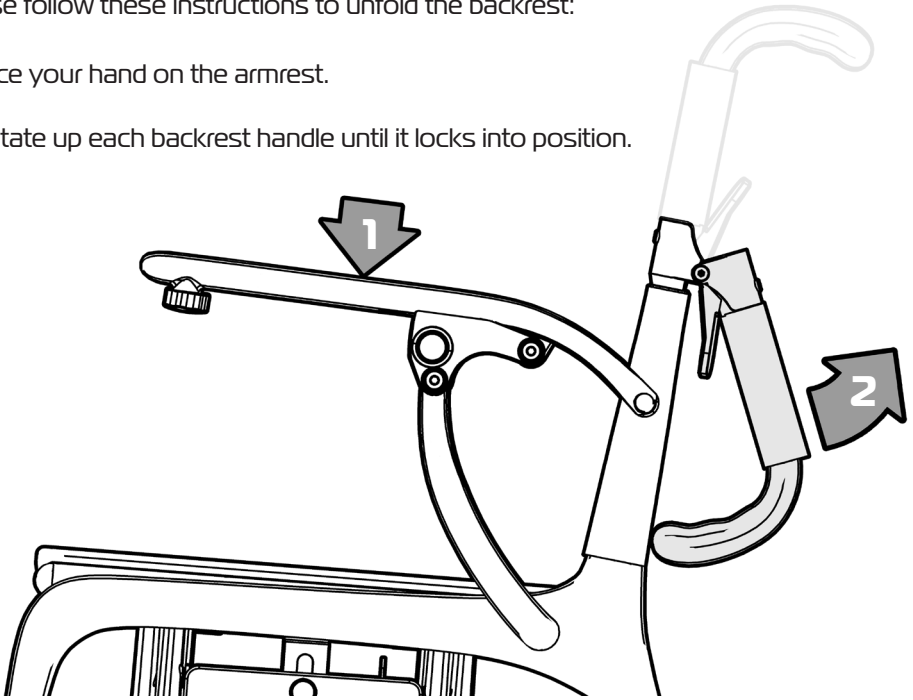
*ASK FOR THE BRAND*

[ikonmobility.com.au](http://ikonmobility.com.au)

# UNFOLD BACKREST

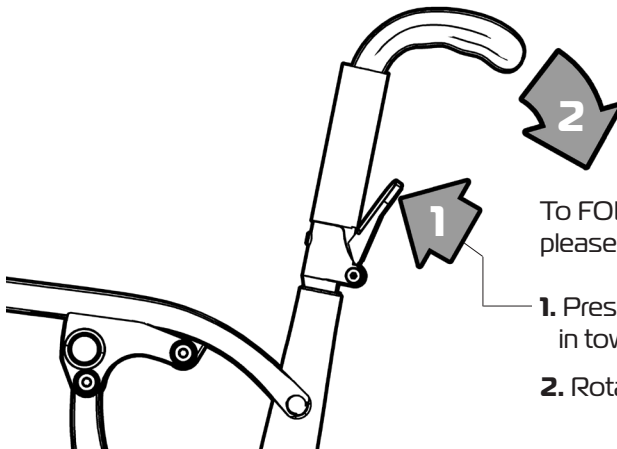
Please follow these instructions to unfold the backrest:

1. Place your hand on the armrest.
2. Rotate up each backrest handle until it locks into position.



## Important note:

Check to ensure both backrest handles have locked into position prior to use.  
(Loud 'CLICK' should be heard when they have fully located in place)



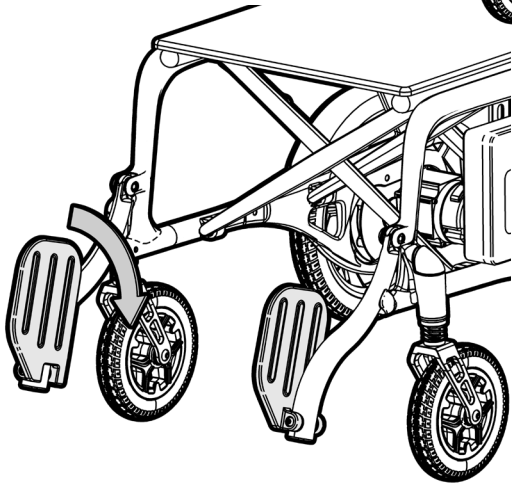
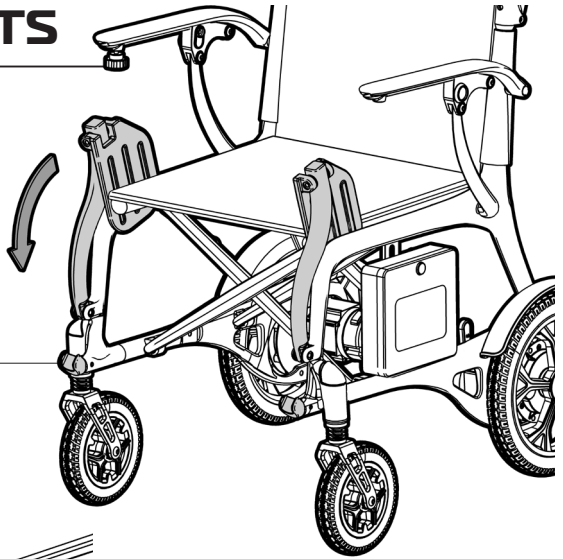
To FOLD down the backrest handles please follow these steps:

1. Press the top of the lever in towards the frame.
2. Rotate handle down.

# LOWER LEGRESTS

Please follow these instructions to lower the legrests and footplates on the wheelchair.

1. Rotate the legrest down until they locate into clip.

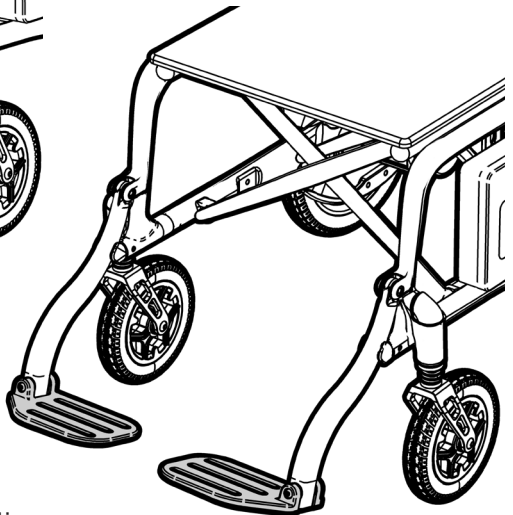


2. Lower both footplates down.

## Important Note:

Always have your feet on the footplates when the wheelchair is in motion.

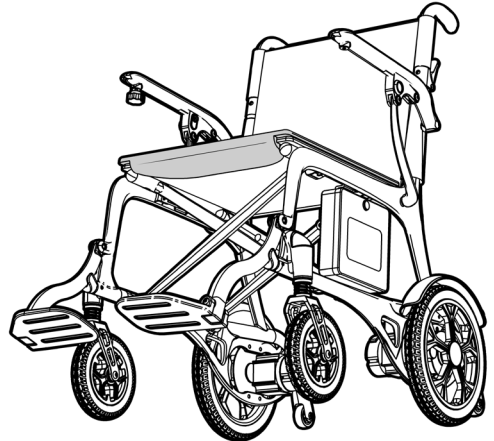
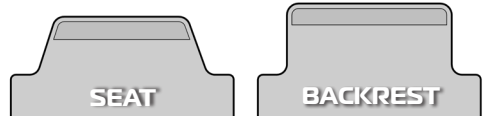
Swing the footplates up when getting on and off the wheelchair.



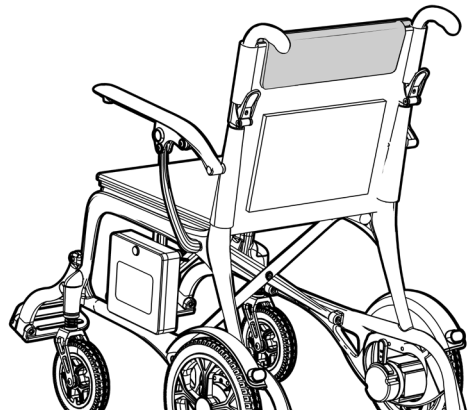
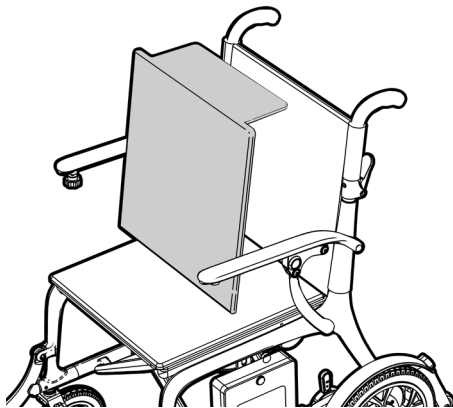
# FIT OVERLAYS

Please follow these instructions to fit the seat and backrest overlays onto the wheelchair.

1. Unfold the flaps and identify the correct overlay for the seat and backrest.



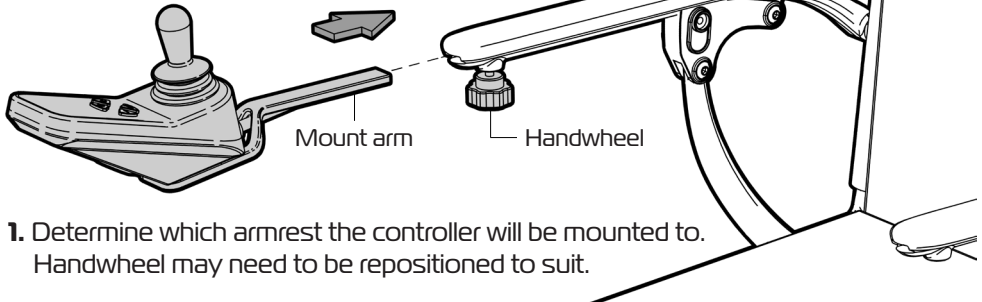
2. Place the seat overlay onto the wheelchair with the flap to the front and facing down. Fold the flap over and attach to the underside of the seat as shown.



3. Place the backrest overlay onto the wheelchair with the flap to the top and facing backwards. Fold the flap over and attach to the rear of the backrest as shown.

# FIT ONBOARD CONTROLLER

Please follow these instructions to fit the onboard controller onto the armrest.

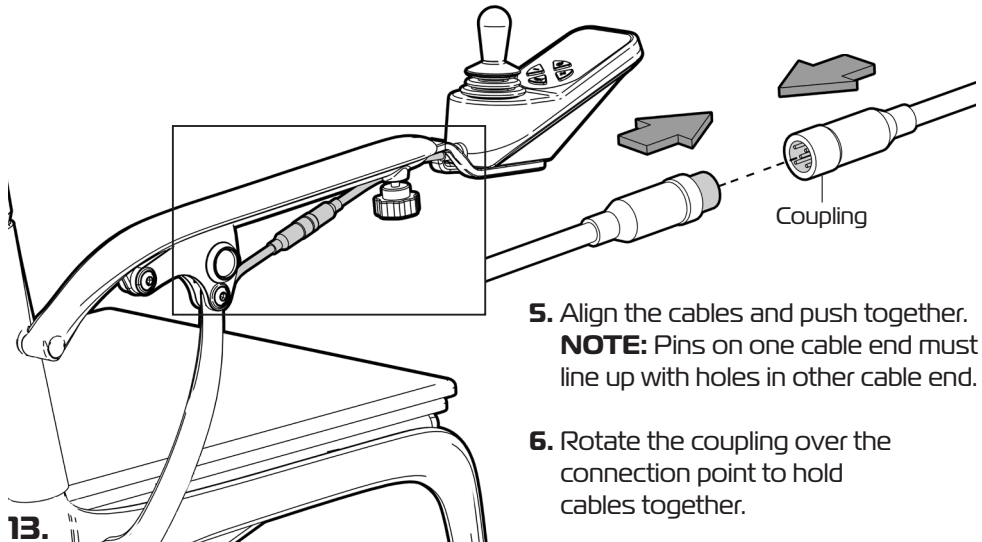
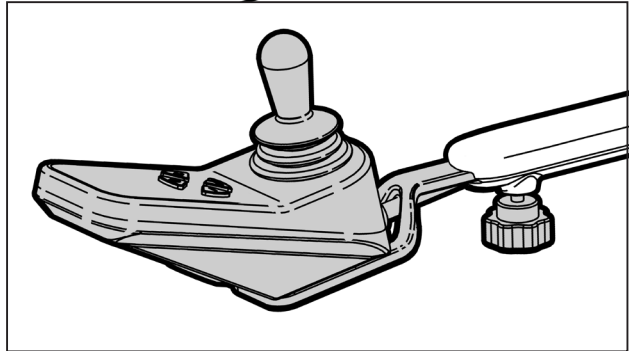


1. Determine which armrest the controller will be mounted to. Handwheel may need to be repositioned to suit.

2. Slide the mount arm into the opening on the end of the armrest.

3. Sit on the wheelchair and determine a comfortable position for the controller.

4. Tighten handwheel to hold controller in position.



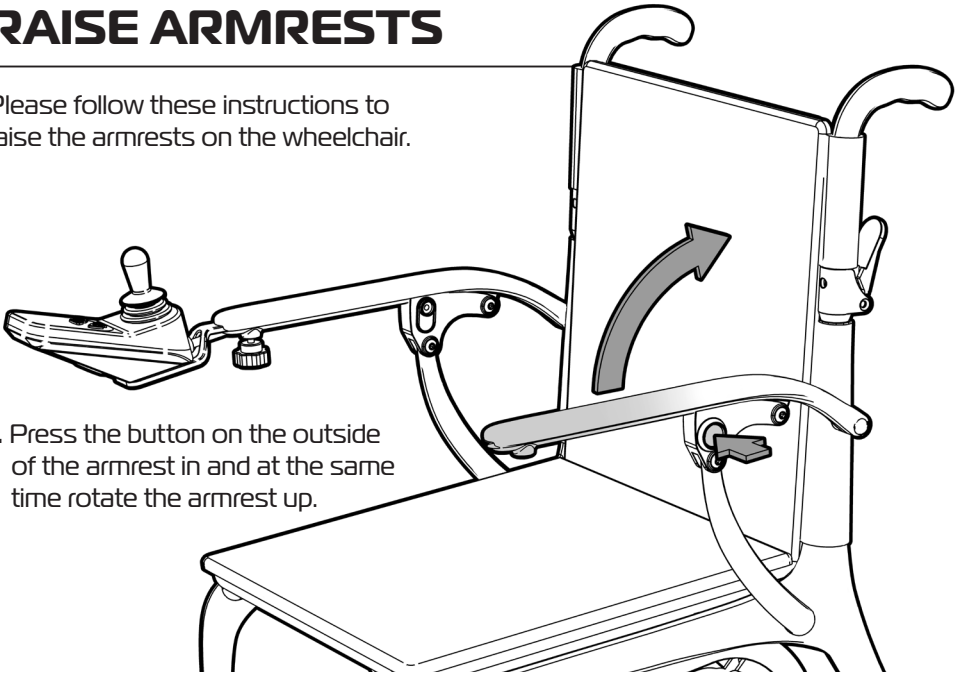
5. Align the cables and push together.  
**NOTE:** Pins on one cable end must line up with holes in other cable end.

6. Rotate the coupling over the connection point to hold cables together.



# RAISE ARMRESTS

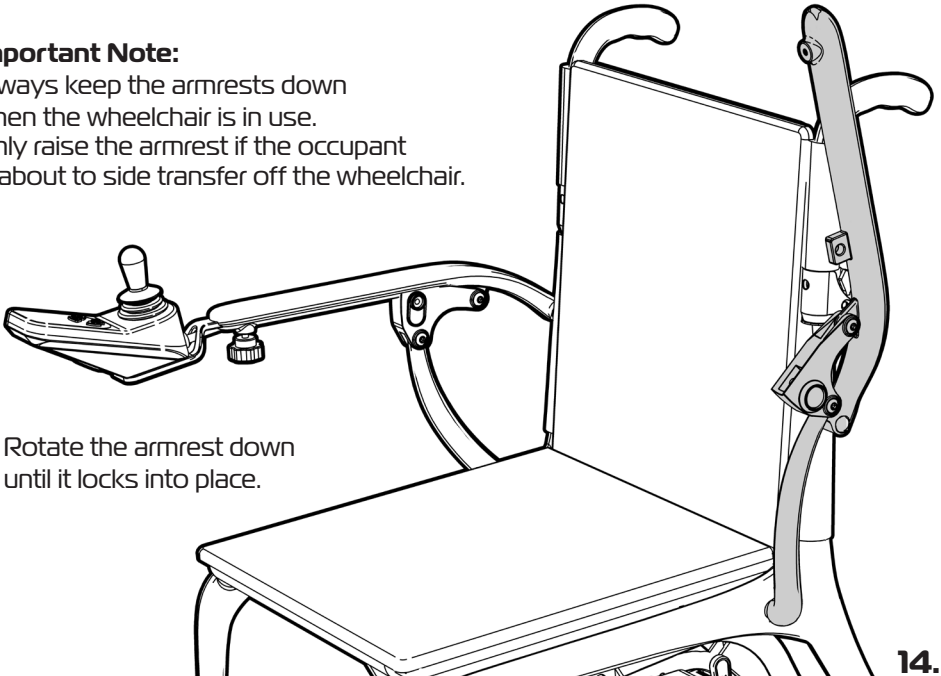
Please follow these instructions to raise the armrests on the wheelchair.



1. Press the button on the outside of the armrest in and at the same time rotate the armrest up.

## Important Note:

Always keep the armrests down when the wheelchair is in use. Only raise the armrest if the occupant is about to side transfer off the wheelchair.



2. Rotate the armrest down until it locks into place.

# BATTERY CHARGING

Please follow these instructions to charge the battery used on the wheelchair.

The ENDURO POWERLITE Wheelchair is supplied with a rechargeable maintenance free Lithium-Ion battery which **MUST BE** charged using the supplied battery charger.



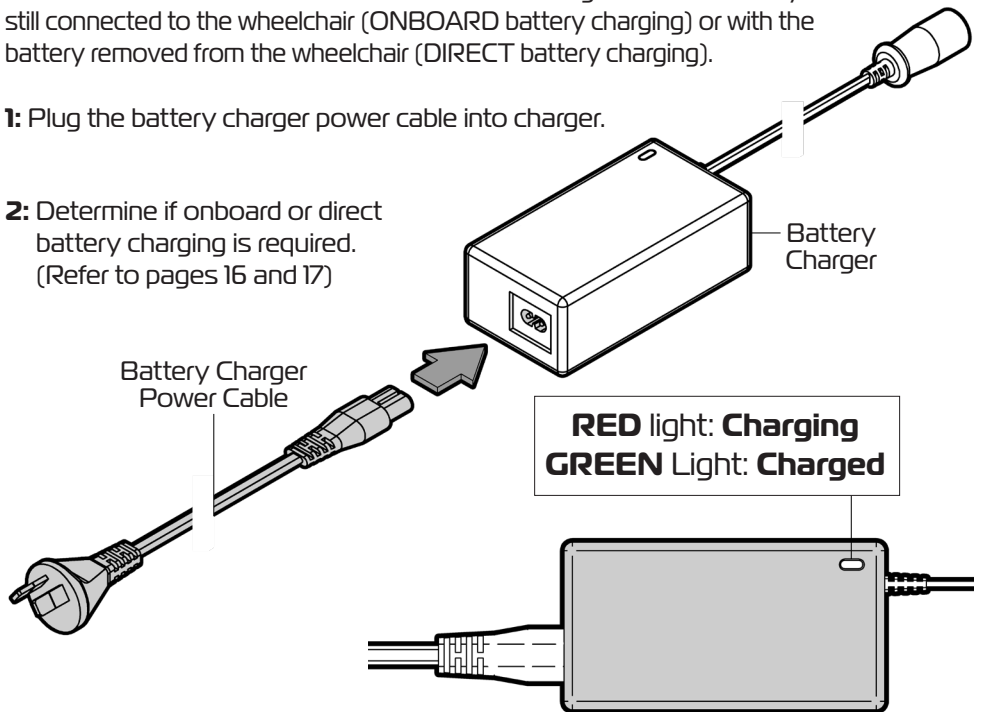
## WARNING!

**FAILURE TO USE CORRECT AND SPECIFIED CHARGER MAY RESULT IN DEATH, DAMAGE OR CANCELLATION OF WARRANTY AND STATUTORY PROTECTIONS.**

The ENDURO POWERLITE Wheelchair can be charged with the battery still connected to the wheelchair (ONBOARD battery charging) or with the battery removed from the wheelchair (DIRECT battery charging).

**1:** Plug the battery charger power cable into charger.

**2:** Determine if onboard or direct battery charging is required. (Refer to pages 16 and 17)



**3.** Battery should be charged when the battery indicator is showing 1 bar. Battery charging should take approx. **4 -6 hours.** NEVER stop charging before light shows green. Once the green light is showing remove the cable from the battery.

15.

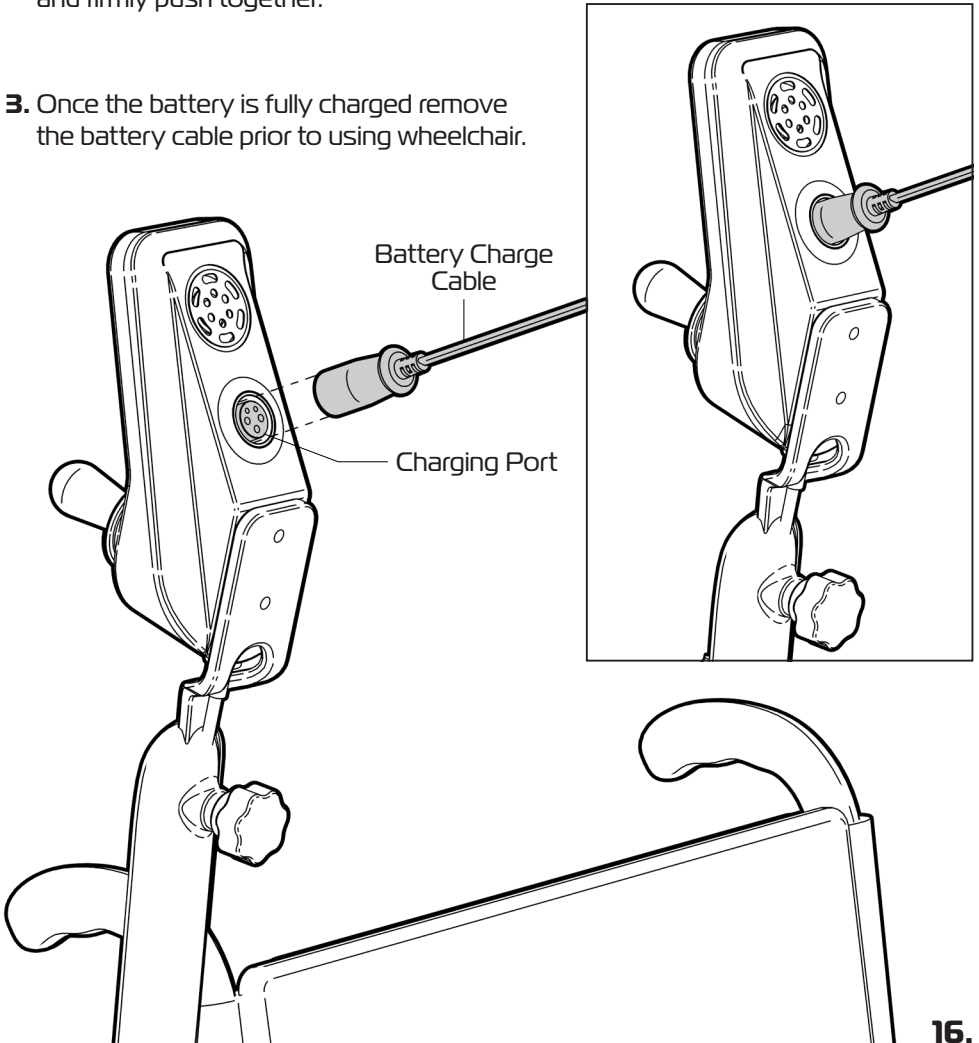
ASK FOR THE BRAND

ikonmobility.com.au

# ONBOARD BATTERY CHARGING

Please follow these instructions to charge the battery whilst it is STILL CONNECTED TO THE WHEELCHAIR.

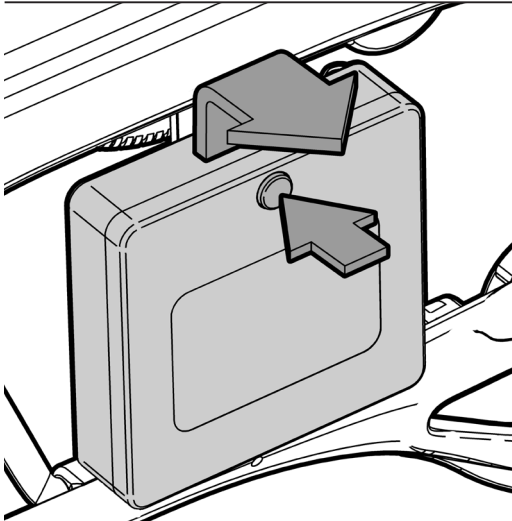
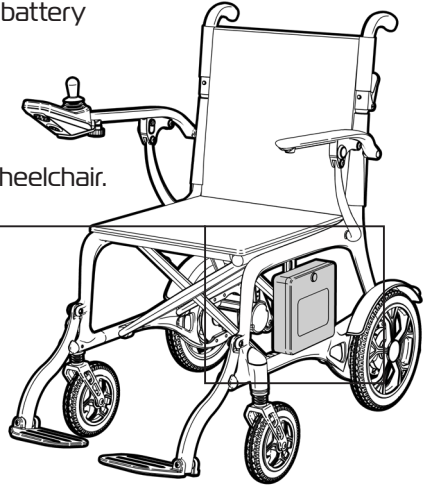
- 1: Raise the armrest with the controller attached.
2. Align the pins on the battery charge cable with the holes in the charging port and firmly push together.
3. Once the battery is fully charged remove the battery cable prior to using wheelchair.



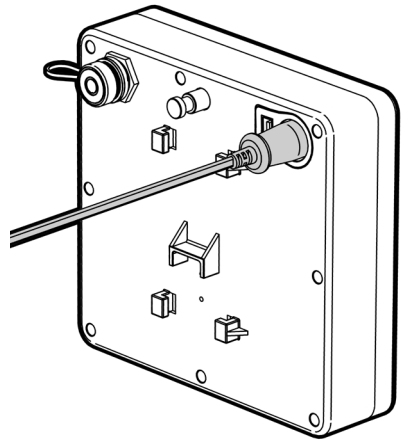
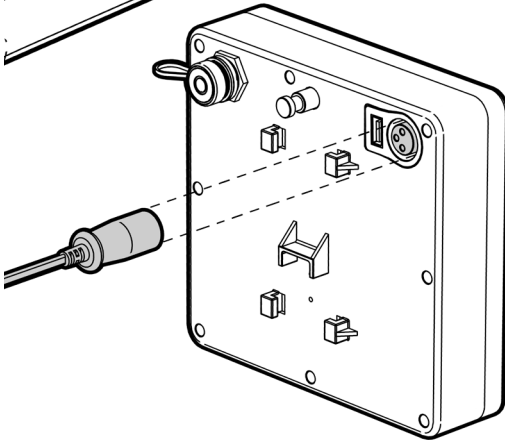
# DIRECT BATTERY CHARGING

Please follow these instructions to remove the battery from the wheelchair and charge directly.

- 1:** To remove the battery from the wheelchair:
- Press the button in,
  - Lift the battery up and pull away from the wheelchair.



- 2.** Align the pins on the battery charge cable with the holes in the charging port and firmly push together.



- 3.** Once the battery is fully charged - remove the battery cable and refit the battery to the wheelchair.

**17.**

ASK FOR THE BRAND

ikonmobility.com.au

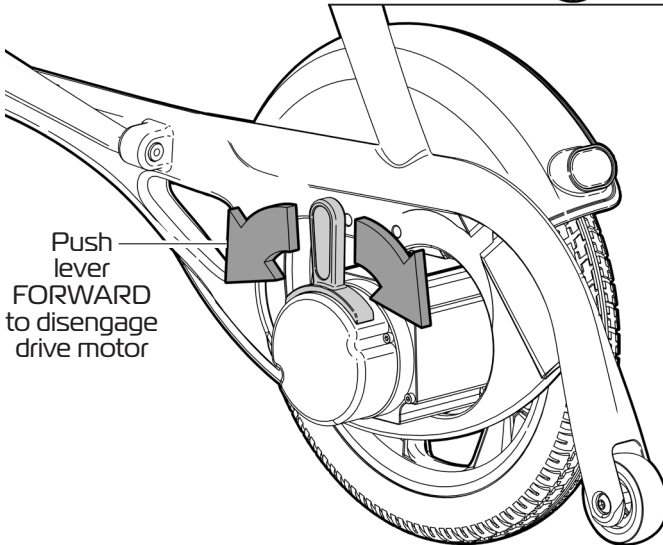
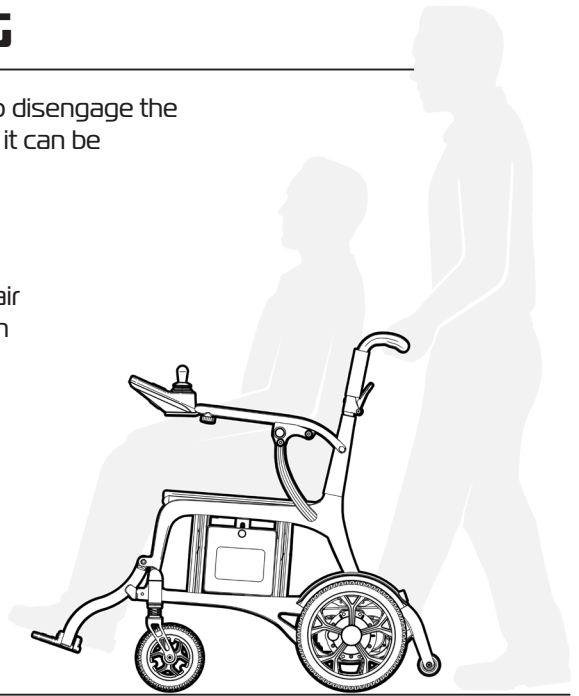
# FREEWHEELING

Please follow these instructions to disengage the drive motors on the wheelchair so it can be pushed around if required.

## IMPORTANT NOTE

When the motors on the wheelchair are disengaged the braking system is also disengaged.

**1:** Turn the power off on the wheelchair.



**2:** Using your hand push the RED lever on the drive motor toward the front of the wheelchair to disengage the motor and allow the wheelchair to be pushed around.

Do this for BOTH drive motors.

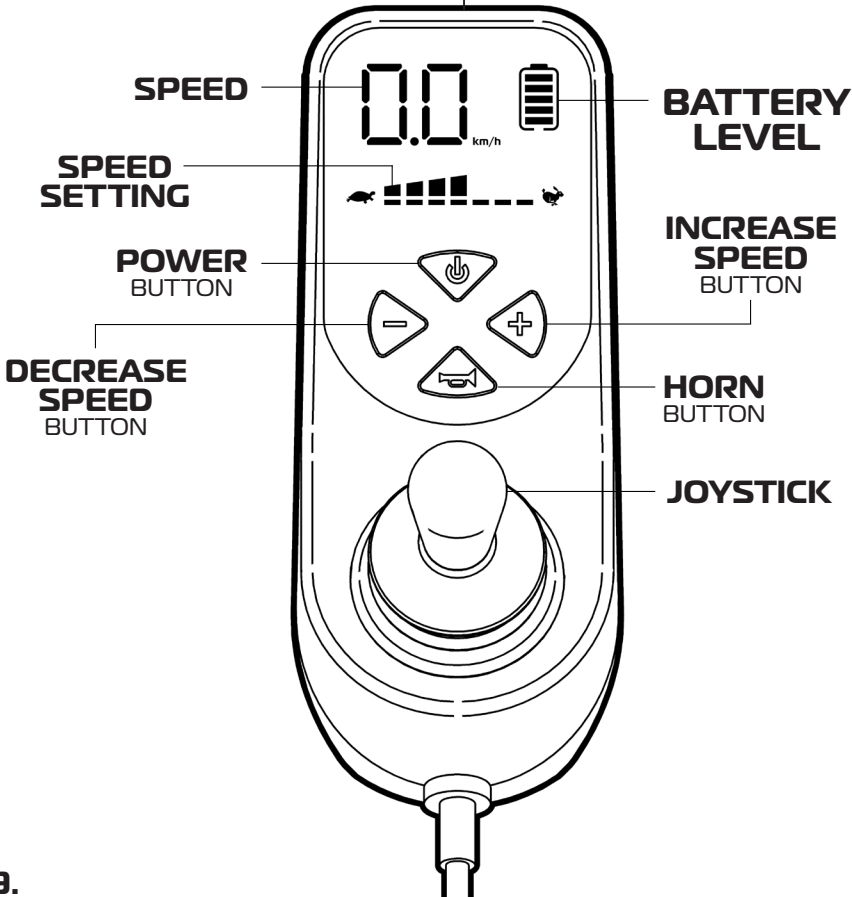
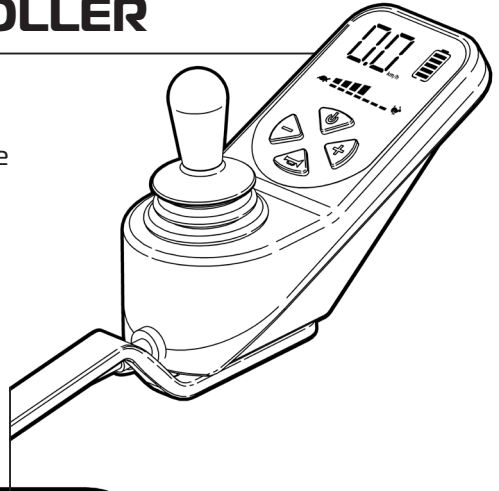
**3:** As soon as you have finished freewheeling the wheelchair pull the RED lever toward the back of the wheelchair to re-engage the motor. Do this for BOTH drive motors.

# ONBOARD CONTROLLER

The ENDURO POWERLITE Wheelchair comes with a interactive onboard controller that can be used by the occupant to operate the wheelchair.

Ensure that you familiarise yourself with the controller prior to operating the wheelchair.

Refer to page 21 for information on how to operate the wheelchair in a safe manner.

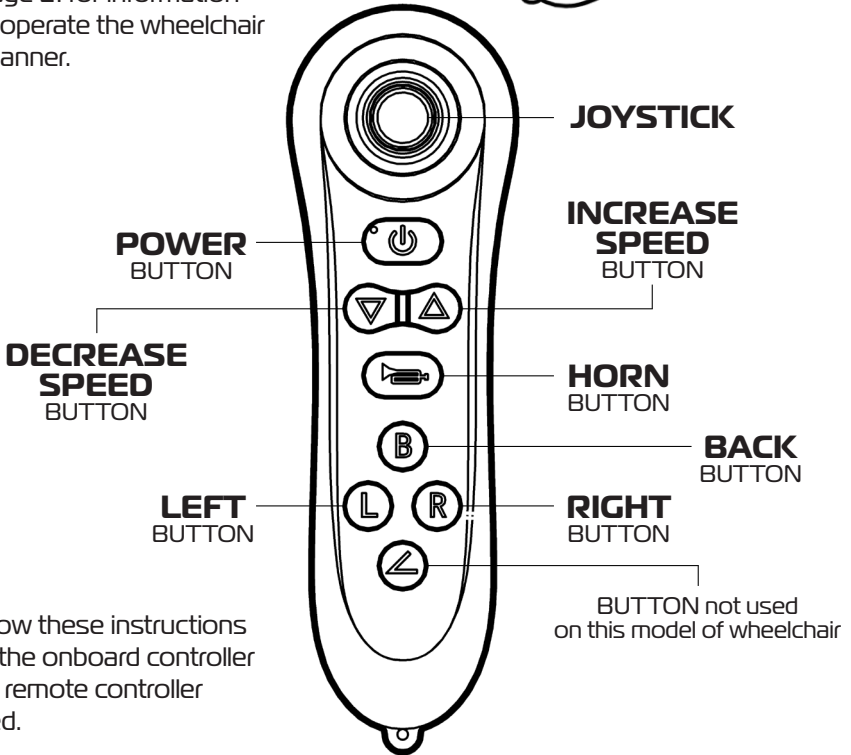
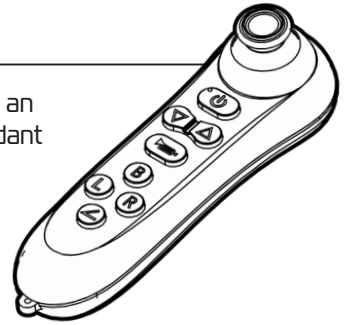


# REMOTE CONTROLLER

The ENDURO POWERLITE Wheelchair also comes with an interactive remote controller that can be used by an attendant who controls the wheelchair for the occupant.

Ensure that you familiarise yourself with the controller prior to operating the wheelchair.

Refer to page 21 for information on how to operate the wheelchair in a safe manner.



Please follow these instructions to override the onboard controller and so the remote controller can be used.

1. Press + hold the remote control power button until it shows a green light.
2. Press + hold the remote control decrease speed button until the power button flashes red.
3. Press the onboard controller power button.
4. Press and hold the wheelchair control decrease speed button, until the screen flashes.
5. Press the wheelchair controller horn button (wheelchair controller will turn off).
6. Press the wheelchair controller power button again.
7. Press the power button of the remote control again and the power button of the remote control will switch to green.

Remote controller can now be used to control the wheelchair.

# OPERATING WHEELCHAIR

---

## Getting Started

- Select a level area with plenty of space.
- Check the battery charge remaining before operating the unit to ensure you have sufficient power for your journey.

## Getting on or out of the wheelchair

- Before getting off the wheelchair ensure that controller has been turned off to prevent any accidental movement.
- Flip up the footplates for access.
- Never stand on the footplates as this will cause the wheelchair to fall forward.



---

## Scooter Movement

- Press the power button on the controller.
- Press the decrease speed button to 1 (Tortoise) to allow slow movement.
- Slowly move the joystick to move the wheelchair.  
The more you move the joystick the faster the movement of the wheelchair.
- Centralise the joystick and the wheelchair will slowly come to a stop and the electromagnetic brake will automatically be applied.

## Steering

- Steering the wheelchair with the joystick is light and easy. Ensure when starting off you give a wide clearance when turning so that the rear wheels clear any obstacle you are passing.
- IMPORTANT NOTE: Always slow down prior to and during turning.

## Reversing

- Before reversing ensure that the area behind is free from any hazards or obstructions.
- Adjust your speed setting to a low setting before you reverse.

## Inclines

- Safe climb angle: 6°
- When approaching an incline, do so directly and not at an angle and whenever possible avoid making turns.
- When going down a incline keep the speed settings to slow for a controlled descent.

## Ground

- Only use the wheelchair on hard surfaces.  
Do not go offroad or on grass.



# TROUBLESHOOTING

---

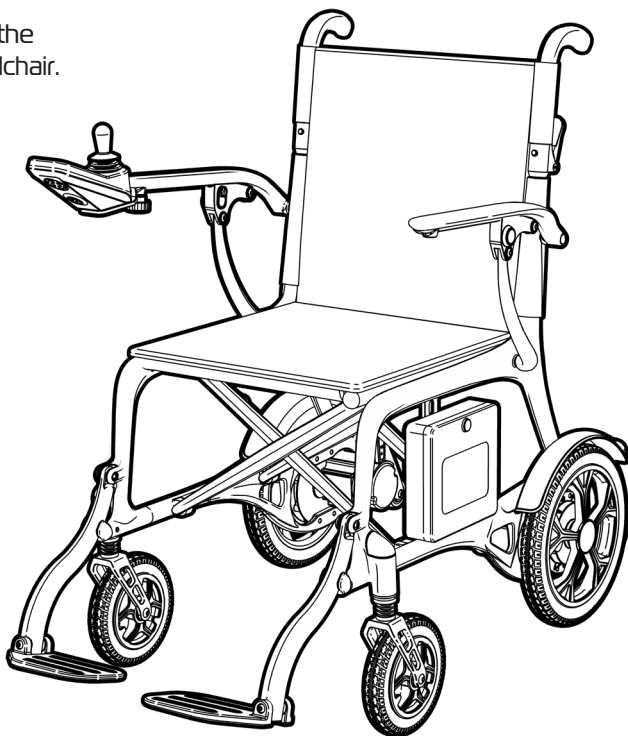
If the ENDURO POWERLITE Wheelchair fails to operate please check the following:

- Unit is switched on.
- Battery has been fitted.
- All plugs and cable connections are firmly fitted.
- Battery level shows some charge.
- Drive motors has been engaged. (not freewheeling)

If these troubleshooting tips do not fix the issue with the wheelchair please contact your supplier or IKON Mobility direct for support.

Do not attempt to unless you are a certified technician and have been trained to service the ENDURO POWERLITE Wheelchair.

Unauthorised repairs and fitting of non genuine parts will void your warranty and may seriously compromise the users safety.



# INSPECT / MAINTAIN / SERVICE

---

## INSPECTIONS

Visually and physically look over the wheelchair for signs of damage or wear prior and during use. Inspect the entire scooter and particular attention to the following areas:

**Tyres / Seat / Backrest / Controllers / Fixings etc**

Check to ensure that all parts work and wheelchair can be controlled as required.

## IMPORTANT NOTE

**If you suspect damage or any fault DO NOT USE the scooter!  
and contact your supplier for service support.**

## MAINTENANCE

The ENDURO POWERLITE Wheelchair is designed to be maintenance free and most components are sealed.

Inspect and tighten any loose wheel bolts, seat and arm tightening bolts, and other nuts and bolts on a regular basis.

The driving axles and seat post should always have a very light coat of multipurpose lubricant or grease to assist with movement.

**DO NOT USE TOO MUCH GREASE!** Drips may stain carpets, furnishings etc.

It is recommended that the driving axles (inside the drive wheel assembly) be checked and cleaned occasionally for hair and debris build-up, which will hinder the performance of the scooter.

Check the battery on a regular basis. For extended battery life, it is highly recommended that the battery be fully charged after each use. If the battery is weak, severely discharged or old, a variety of problems may occur with the unit including charging problems, reduced speed, loss of range, and others. Please contact your wheelchair supplier for battery replacement.

## SERVICING

Ensure the ENDURO POWERLITE Wheelchair is serviced every 12 months by an authorised dealer / service technician to ensure it remains in safe working order. Failure to do so may cause catastrophic failure with possible injury and damage to surrounding property. Regular servicing will ensure trouble free operation.

If you have any questions about the inspecting, maintaining or service requirements of the ENDURO POWERLITE Wheelchair please contact your supplier or IKON Mobility direct.

# CLEANING THE WHEELCHAIR

---

Clean the ENDURO POWERLITE Wheelchair on a regular basis. You must take extreme care when cleaning any electrical aspect of the wheelchair as water or fluid of any kind can cause severe damage.

- Remove the battery from the wheelchair prior to cleaning.
- Only use a soft damp cloth and a non-abrasive cleaning solution or mild detergent.

Abrasive cleaners or abrasive cleaning pads could damage the wheelchair and should not be used.

- Do not use petrol / solvents / vapourising solutions as a cleaning agent as they may damage to the wheelchair.

**IMPORTANT NOTE:** NEVER use a hose to wash the wheelchair.

- Towel dry any wet areas after cleaning. Ensure the wheelchair is completely dry before reinstalling battery and using wheelchair.

## **DISPOSAL OF WHEELCHAIR / BATTERY**

Always dispose of the wheelchair if required in the appropriate manner. Recycle parts when possible.

Always remove the battery from the wheelchair and follow these guidelines when dealing with an obsolete battery:

- DO NOT CRUSH BATTERY
- DO NOT HEAT OR INCINERATE
- DO NOT SHORT CIRCUIT
- DO NOT DISMANTLE
- DO NOT IMMERSE IN ANY LIQUID
- DISPOSE OF BATTERY APPROPRIATELY

If you have any questions about the cleaning or disposal of the ENDURO POWERLITE Wheelchair please contact your supplier or IKON Mobility direct.

# WARRANTY

---

The IKON Mobility **ENDURO POWERLITE FOLDING CARBON FIBRE ELECTRIC WHEELCHAIR** (IK2PCS) is covered by the following warranty from the date of purchase:

The warranty terms and conditions noted below provide your IKON Mobility wheelchair with excellent coverage against possible defective parts or possible faulty workmanship. If at anytime you have a warranty issue YOU MUST contact the selling IKON Mobility dealer as they are required to undertake the diagnosis and labour content of the warranty. IKON Mobility will as noted below supply spare parts as required as part of this agreement.

Note: Warranty is not transferable.

## **STRUCTURAL FRAME: 5 YEARS** **(Side frames, Scissor frames, Backrest frames, Legrests)**

IKON Mobility warrants that the frame will be free from defects under normal use, for a period of five (5) years from the date of purchase by the original customer.

## **DRIVE TRAIN ASSEMBLY: 2 YEARS** **(Drive Motors)**

IKON Mobility warrants that the drive motor assemblies will be free from defects under normal use, for a period of eighteen (18) months from the date of purchase by the original customer.

## **OTHER PARTS: 1 YEAR** **(Control System, Battery, Battery Charger, other misc parts)**

IKON Mobility warrants that the control system, battery, battery charger and other misc parts will be free from defects under normal use, for a period of twelve (12) months from the date of purchase by the original customer.

IKON Mobility will repair or replace, at our option free of charge any part found on examination by IKON Mobility to be defective in material and or workmanship within the warranty period. All parts claimed under warrant must be returned to IKON Mobility in their present condition. Only an authorised "Warranty Dealer" of IKON Mobility can undertake warranty work. Always contact the selling IKON Mobility dealer to arrange all work and assess if warranty applies.

# WARRANTY (CONTINUED)

---

## Exclusions

- Normal wear items are not covered under warranty. These items include such items as brushes, tyres, tubes, brake pads, upholstery, seating and armrests.
- Damage caused by excessive, abusive, misuse, negligence, accident or water exposure.
- Improper maintenance, maintenance carried out by a non approved "Warranty Dealer".
- Improper operation /storage.
- Any commercial use what so ever.
- Where an authorised dealer has not lodged all required documentation at the appropriate time, the warranty is void.
- All warranties provided do not extend to purchasers of used or secondhand equipment.
- All transportation cost associated with the submission and return of the repair or replacement under warranty (as determined by IKON Mobility) are the responsibility of the original customer.

During the guarantee period, if the company is satisfied there is a genuine fault, we will repair or replace the product at our earliest convenience.

In order for this guarantee to be valid, you must:

- Be the original purchaser
- Provide a copy of the original invoice.
- Comply with manufacturer care and maintenance instructions.

Our goods come with guarantees that cannot be excluded under the Australian Consumer Law. You are entitled to a replacement part for a major failure and for compensation for any other reasonably foreseeable loss or damage. You are entitled to have the goods repaired or replaced if the goods fail to be of acceptable quality and failure does not amount to major failure.

Do not modify the wheelchair in any way or fit any parts or accessories that are not specified as an option for the product. To do so will void your warranty and may seriously compromise your safety.

If you have any issues or questions about the ENDURO POWERLITE Wheelchair warranty please contact your supplier or IKON Mobility direct.

# REDGUM BRAND RANGE

---

REDGUM Brand offer a comprehensive range of products including:

**Seat Walkers**

**Side Folding Seat Walkers**

**Walking Frames**

**Wheelchairs**

**Walking Sticks + Quad Sticks**

**Crutches**

**Reachers**

**Shower / Bathroom products**

**Toilet products**

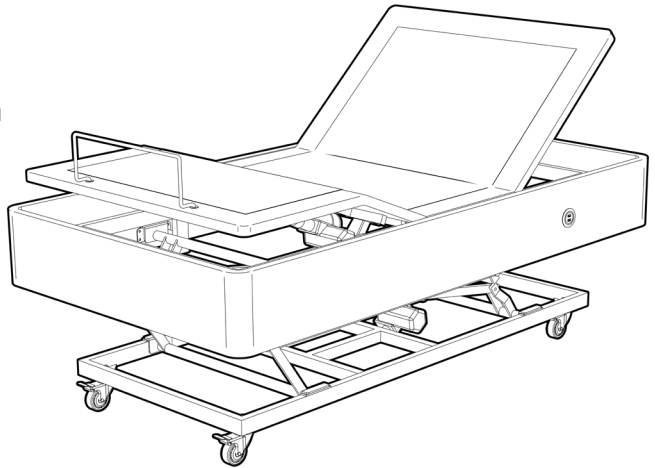
**Cushions: Air / Foam**

**Electric Lift Chairs**

**Electric Beds**

**Aluminium Ramps**

**Pedal Exercisers**



REDGUM Brand stock a large range of spare parts for all REDGUM brand products.

Please refer to **REDGUM Brand** website for further information:

**redgumbrand.com.au**

**27.**

*ASK FOR THE BRAND*

**ikonmobility.com.au**

# NOTES

---

---

---

---

---

---

---

---

---

---

---

---

---

---

---

---

---

---

---

---

---

---

---

---

---



**DISTRIBUTOR:**



*ASK FOR THE BRAND*

**ikonmobility.com.au**